

TANK CLEANING MACHINE

EQA SERIES

1/2"



Recommended working pressure: 2 - 7 bar

Cleaning diameter: max. 4.5 m

Flow rate: 25 LPM to 50 LPM

Spray angle: 360°

Operating temperature: max. 80 °C

Ambient temperature: max. 140 °C, 30 min

Insertion opening: min. Ø 75 mm

Materials: SS316, PTFE, PEEK

Weight: approx. 0.56 kg

No of Jet : 2 nos

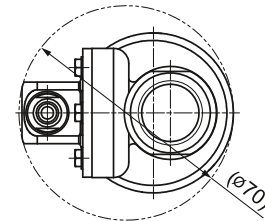
Driving Mechanism : Gear Driven

Note : We recommend to use 100 - 200 mesh strainer / filter

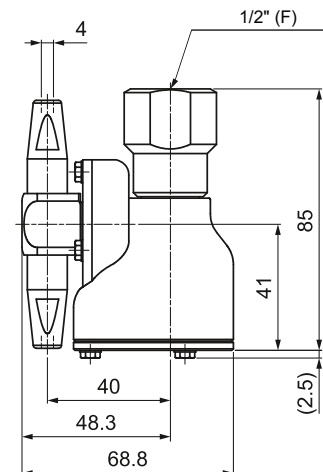
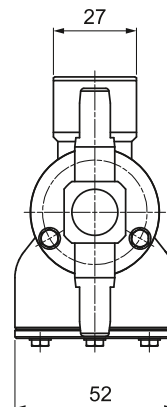
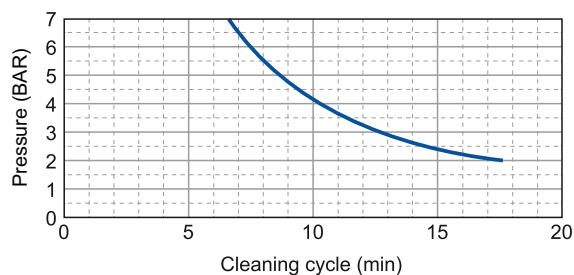
- The powerful rotational solid stream jet effectively cleans the interior of tanks.
- No external power source is required; the rotation is driven solely by the flow of the cleaning liquid.
- Heat-resistant up to 80°C (176°F).
- Its compact design allows for easy installation, even in small inlets.
- Easy insertion and removal, as the rotating nozzle is not locked into place.

Flow-rate Chart

Model No.	Nozzle orifice diameter (mm)	Pipe conn. size	Flow Rate (L/min)						
			2 bar	3 bar	4 bar	5 bar	6 bar	7 bar	
EQA04.M2.XD	4	1/2"	25	31.5	36	40.5	44.5	50	



Pressure Vs Cleaning Cycle



TANK CLEANING MACHINE

EQA SERIES

1/2"



Working pressure: 2 - 7 bar

Recommended operating pressure: 5 bar

Impact diameter: max. 4.5 mtr

Reach diameter: max. 8 mtr

Flow rate: 44 LPM to 68 LPM

Spray angle: 360°

Operating temperature: max. 85 °C

Ambient temperature: max. 140 °C, 30 min

Insertion opening: min. Ø 85 mm

Materials: SS316, PTFE, PEEK

Weight: approx. 0.62 kg

No of Jet : 4 nos

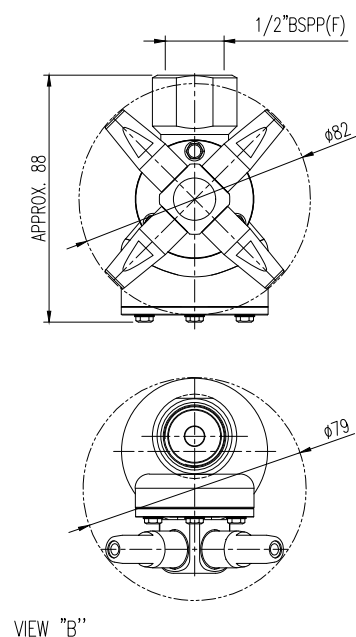
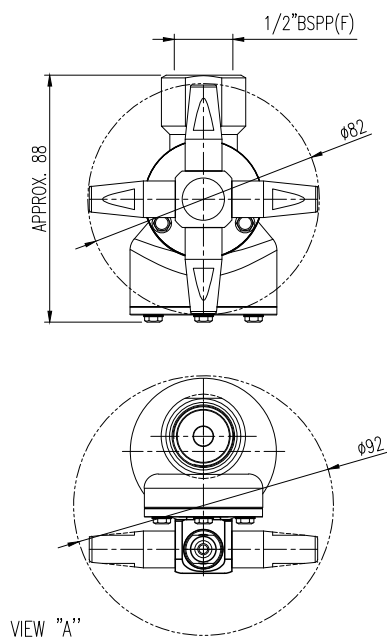
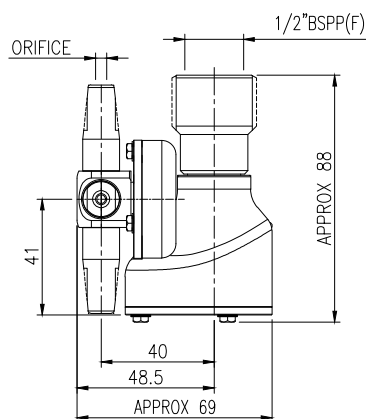
Driving Mechanism : Gear Driven

Note : We recommend to use 100 - 200 mesh strainer / filter

- The powerful rotational solid stream jet effectively cleans the interior of tanks.
- No external power source is required; the rotation is driven solely by the flow of the cleaning liquid.
- Heat-resistant up to 85°C.
- Its compact design allows for easy installation, even in small inlets.
- Easy insertion and removal, as the rotating nozzle is not locked into place.

Flow-rate Chart

Model No	Nozzle orifice diameter (mm)	End conn. size	Flow Rate (L/min)				
			2 bar	3 bar	4 bar	5 bar	7 bar
EQA04.M2.XD	4	1/2"	44	54	61.5	68	88



TANK CLEANING MACHINE

EQB SERIES

1-1/2"



Working pressure: 3 - 7 bar

Recommended operating pressure: 5 bar

Impact diameter: max. 6 mtr

Reach diameter: max. 10 mtr

Flow rate: 145 LPM to 220 LPM

Spray angle: 360°

Operating temperature: max. 85 °C

Ambient temperature: max. 140 °C, 30 min

Insertion opening: min. Ø 135 mm

Materials: SS316, PTFE, PEEK

Weight: approx. 2.840 kg

No of Jet : 4 nos

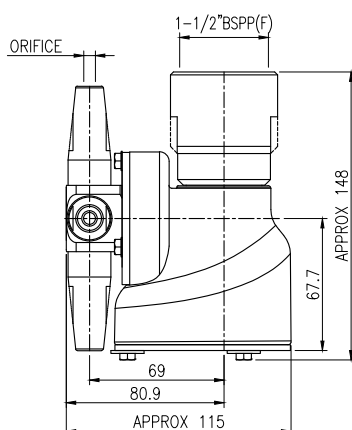
Driving Mechanism : Gear Driven

Note : We recommend to use 100 - 200 mesh strainer / filter

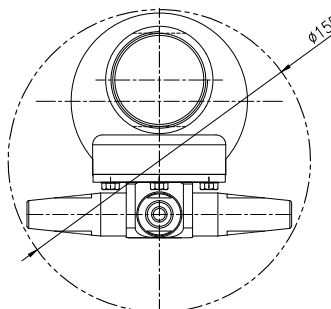
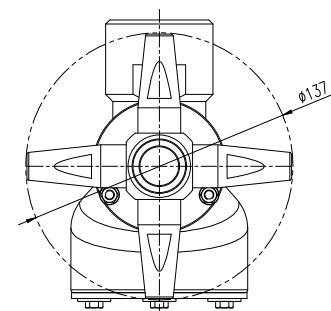
- The powerful rotational solid stream jet effectively cleans the interior of tanks.
- No external power source is required; the rotation is driven solely by the flow of the cleaning liquid.
- Suitable for temp up to 85°C.
- Its compact design allows for easy installation, even in small inlets.
- Easy insertion and removal, as the rotating nozzle is not locked into place.

Flow-rate Chart

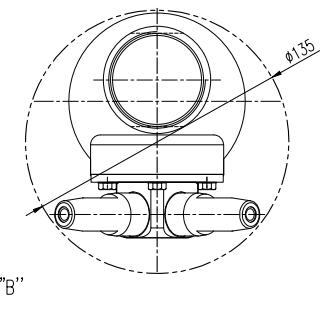
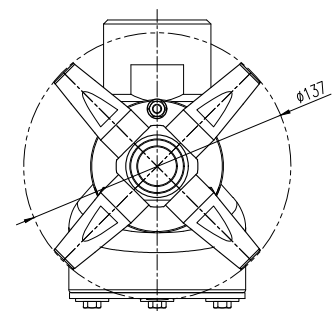
Model No	Nozzle orifice diameter (mm)	End conn. size	Flow Rate (L/min)			
			3 bar	4 bar	5 bar	7 bar
EQB06.M2.XH	6	1-1/2"	145	168	190	220



VIEW "A"



VIEW "B"



TANK CLEANING MACHINE

EQC SERIES

1 1/2"



Working pressure: 2 - 7 bar

Recommended operating pressure: 5 bar

Impact diameter: max. 18 mtr

Reach diameter: max. 24 mtr

Flow rate: 200 LPM to 485LPM

Spray angle: 360°

Operating temperature: max. 95 °C

Ambient temperature: max. 140 °C

Insertion opening: min. Ø 230mm

Materials: SS316, PTFE, PEEK

Weight: approx. 7.5 kg

No of Jet : 4 nos

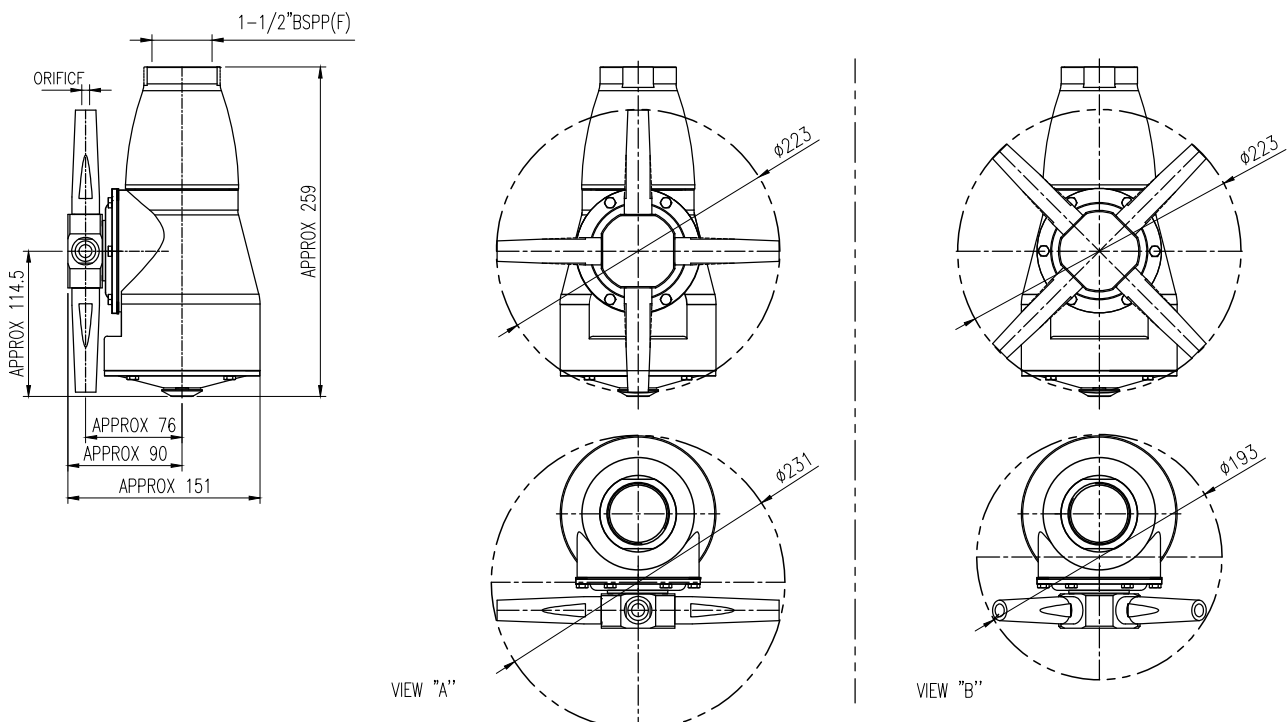
Driving Mechanism : Gear Driven

Note : We recommend to use 80- 100 mesh strainer / filter

- The powerful rotational solid stream jet effectively cleans the interior of tanks.
- No external power source is required; the rotation is driven solely by the flow of the cleaning liquid.
- Suitable for temp up to 95°C.
- Easy insertion and removal, as the rotating nozzle is not locked into place.

Flow-rate Chart

Model No	Nozzle orifice diameter (mm)	End conn. size	Flow Rate (L/min)				
			2 bar	3 bar	4 bar	5 bar	7 bar
EQC08.M2.XH	8	1-1/2"	200	244	282	315	373
EQC10.M2.XH	10	1-1/2"	259	317	366	410	485



EM SERIES TANK CLEANING MACHINE

3/4"



Working pressure: 3 - 10 bar

Cleaning diameter: max. 10 m

Flow rate: 45 LPM to 100 LPM

Spray angle: 360°

Operating temperature: max. 95 °C

Ambient temperature: max. 140 °C, 30 min

Insertion opening: min. Ø 130 mm

Materials: SS316L, C-PTFE

Weight: approx. 3.0 kg

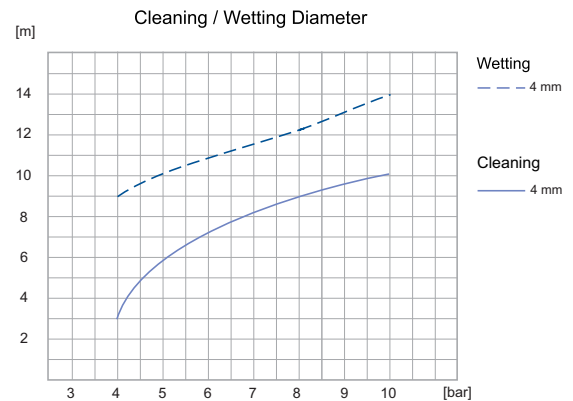
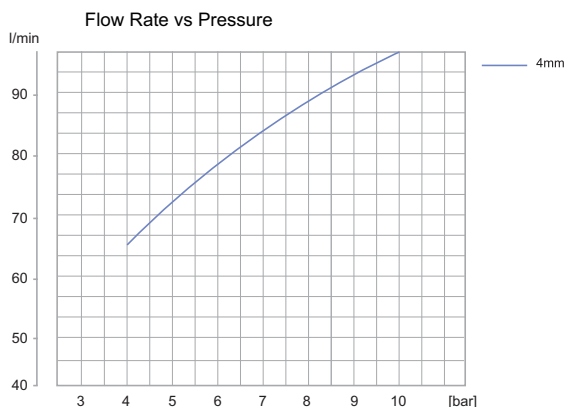
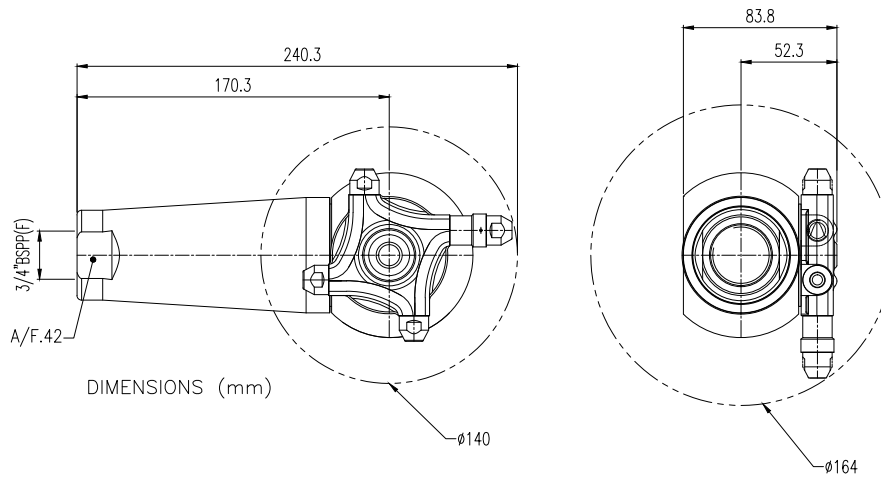
Preferred mounting position: vertical

Note : We recommend to use 100 - 200 mesh strainer / filter

- Compact size gear driver tank cleaning machine
- Powerful jet cleaning
- Smooth rotation
- Available with various flow rates.
- Less cleaning time

Approx. cycle times

	MODEL NO
	EM04.M2L.XE
Pressure	Nozzles Ø 4 mm
4 bar	4 min
6 bar	3 min
8 bar	2 min 30 s
10 bar	2 min 15 s



EM SERIES TANK CLEANING MACHINE

1"



Working pressure: 4 - 10 bar

Cleaning diameter: max. 12 m

Flow rate: 80 LPM to 175 LPM

Spray angle: 360°

Operating temperature: max. 95 °C

Ambient temperature: max. 140 °C, 30 min

Insertion opening: min. \varnothing 130 mm

Materials: SS316L, C-PTFE

Weight: approx. 3.3 kg

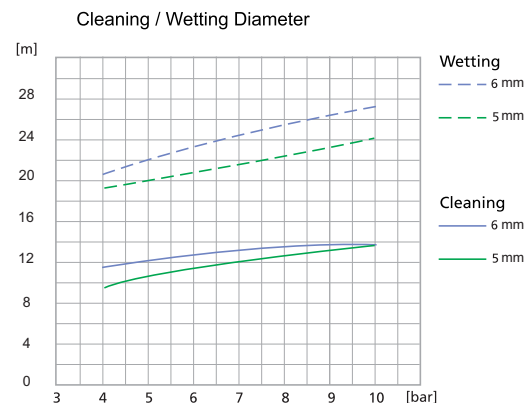
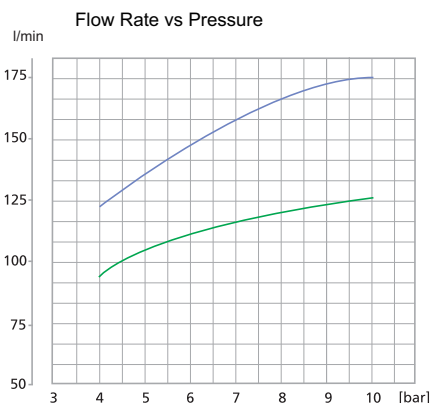
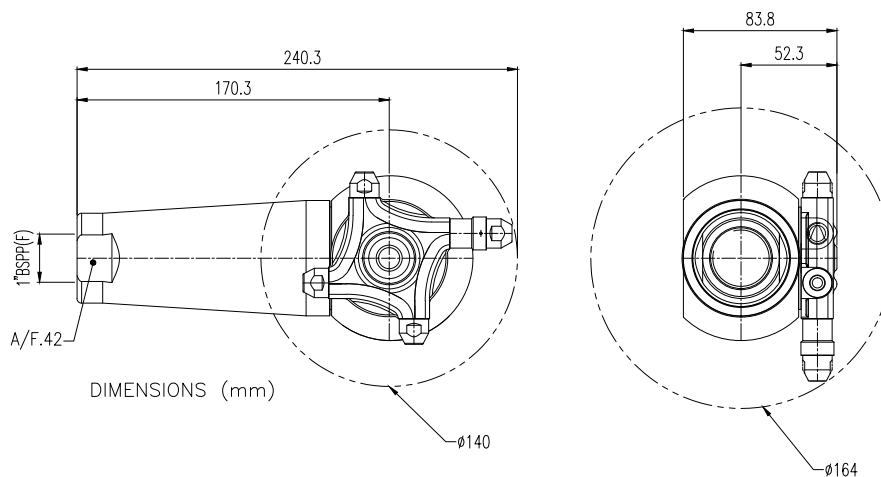
Preferred mounting position: vertical

Note : We recommend to use 100 - 200 mesh strainer / filter

- Compact size gear driver tank cleaning machine
- Powerful jet cleaning
- Smooth rotation
- Available with various flow rates.
- Less cleaning time

Approx. cycle times

	MODEL NO	
	EM05.M2L.XF	EM06.M2L.XF
Pressure	Nozzles \varnothing 5 mm	Nozzles \varnothing 6 mm
4 bar	5 min	6 min
6 bar	4 min 15 s	4 min 45 s
8 bar	3 min 45 s	4 min 15 s
10 bar	3 min 15 s	3 min 45 s



EM SERIES TANK CLEANING MACHINE

1 1/2"



Working pressure: 4 - 10 bar

Cleaning diameter: max. 18 m

Flow rate: 160 LPM to 380 LPM

Spray angle: 360°

Operating temperature: max. 95 °C

Ambient temperature: max. 140 °C, 30 min

Insertion opening: min. Ø 210 mm

Materials: SS316L, C-PTFE

Weight: approx. 3.6 kg

Preferred mounting position: vertical

Note : We recommend to use 100 - 200 mesh strainer / filter

- Compact size gear driver tank cleaning machine
- Powerful jet cleaning (7 mm, 8 mm, 9 mm, 10 mm). Versions with 9 mm and 10 mm available on request.
- Smooth rotation
- Available with various flow rates.
- Less cleaning media

Approx. cycle times

	MODEL NO	
	EM07.M2L.XH	EM08.M2L.XH
Pressure	Nozzles Ø 7 mm	Nozzles Ø 8 mm
4 bar	10 min	8 min 15 s
6 bar	8 min	6 min 45 s
8 bar	7 min	5 min 45 s
10 bar	6 min	5 min 15 s

