

TANK CLEANING MACHINE

EQB SERIES

1-1/2"



Working pressure: 3 - 7 bar

Recommended operating pressure: 5 bar

Impact diameter: max. 6 mtr

Reach diameter: max. 10 mtr

Flow rate: 145 LPM to 220 LPM

Spray angle: 360°

Operating temperature: max. 85 °C

Ambient temperature: max. 140 °C, 30 min

Insertion opening: min. Ø 135 mm

Materials: SS316, PTFE, PEEK

Weight: approx. 2.840 kg

No of Jet : 4 nos

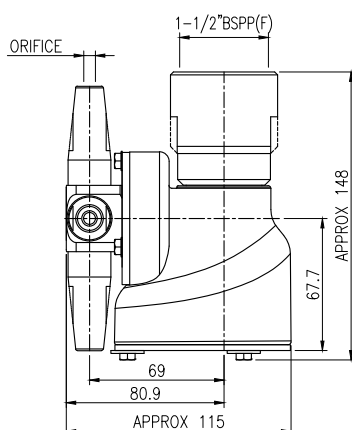
Driving Mechanism : Gear Driven

Note : We recommend to use 100 - 200 mesh strainer / filter

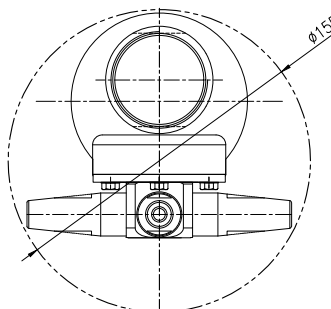
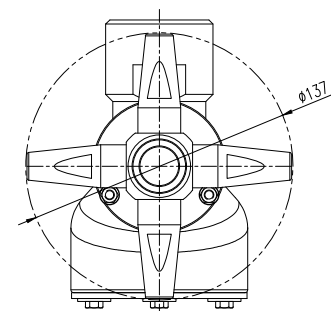
- The powerful rotational solid stream jet effectively cleans the interior of tanks.
- No external power source is required; the rotation is driven solely by the flow of the cleaning liquid.
- Suitable for temp up to 85°C.
- Its compact design allows for easy installation, even in small inlets.
- Easy insertion and removal, as the rotating nozzle is not locked into place.

Flow-rate Chart

Model No	Nozzle orifice diameter (mm)	End conn. size	Flow Rate (L/min)			
			3 bar	4 bar	5 bar	7 bar
EQB06.M2.XH	6	1-1/2"	145	168	190	220



VIEW "A"



VIEW "B"

