

# EM SERIES TANK CLEANING MACHINE

3/4"



Working pressure: 3 - 10 bar

Cleaning diameter: max. 10 m

Flow rate: 45 LPM to 100 LPM

Spray angle: 360°

Operating temperature: max. 95 °C

Ambient temperature: max. 140 °C, 30 min

Insertion opening: min. Ø 130 mm

Materials: SS316L, C-PTFE

Weight: approx. 3.0 kg

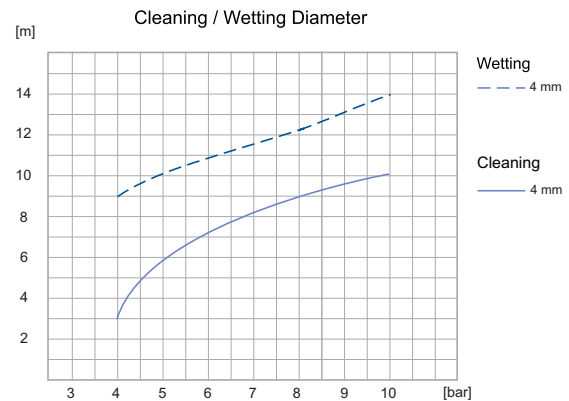
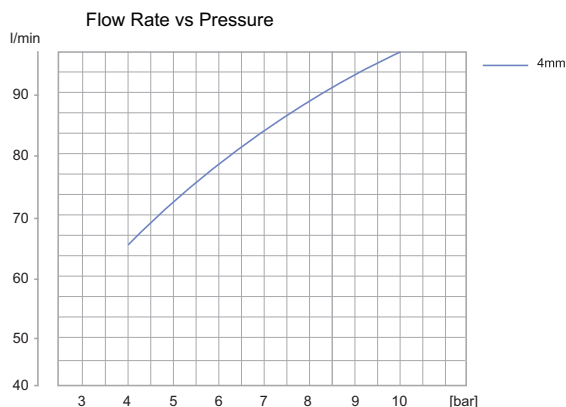
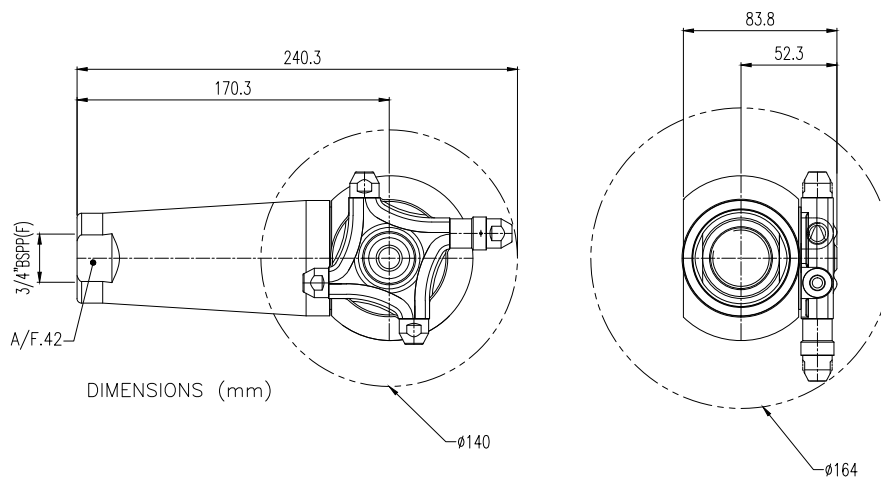
Preferred mounting position: vertical

**Note :** We recommend to use 100 - 200 mesh strainer / filter

- Compact size gear driver tank cleaning machine
- Powerful jet cleaning
- Smooth rotation
- Available with various flow rates.
- Less cleaning time

### Approx. cycle times

	MODEL NO
	EM04.M2L.XE
Pressure	Nozzles Ø 4 mm
4 bar	4 min
6 bar	3 min
8 bar	2 min 30 s
10 bar	2 min 15 s



# EM SERIES TANK CLEANING MACHINE

1"



Working pressure: 4 - 10 bar

Cleaning diameter: max. 12 m

Flow rate: 80 LPM to 175 LPM

Spray angle: 360°

Operating temperature: max. 95 °C

Ambient temperature: max. 140 °C, 30 min

Insertion opening: min. Ø 130 mm

Materials: SS316L, C-PTFE

Weight: approx. 3.3 kg

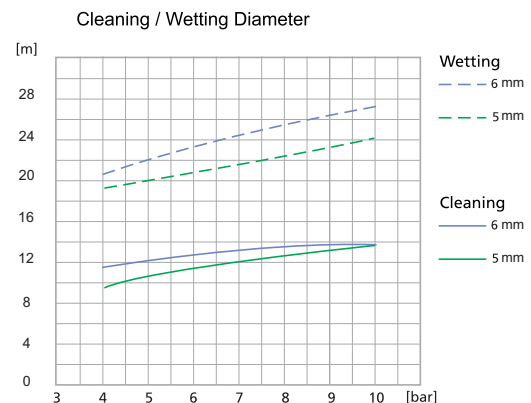
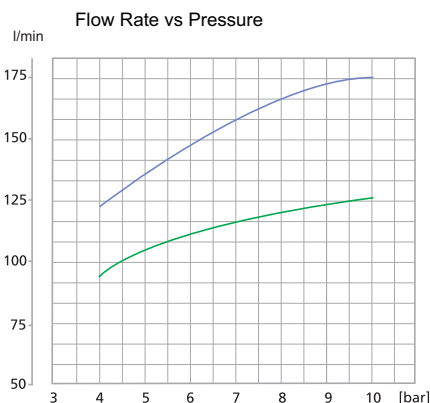
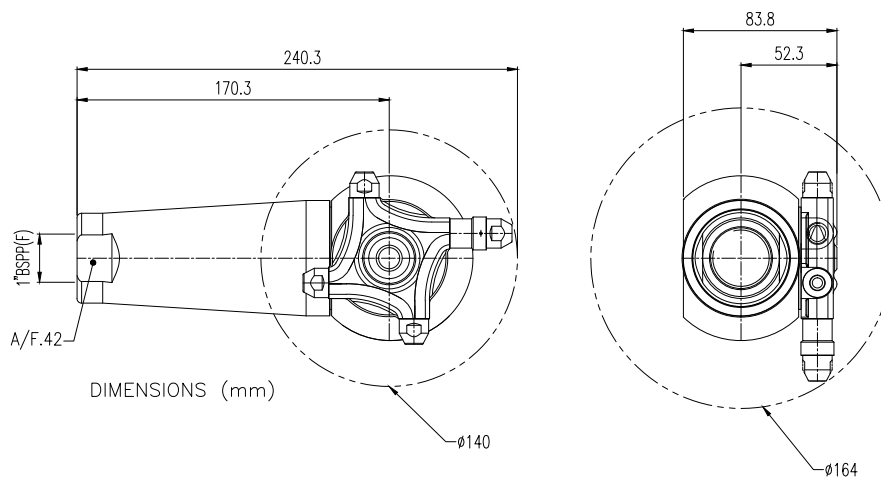
Preferred mounting position: vertical

**Note :** We recommend to use 100 - 200 mesh strainer / filter

- Compact size gear driver tank cleaning machine
- Powerful jet cleaning
- Smooth rotation
- Available with various flow rates.
- Less cleaning time

## Approx. cycle times

	MODEL NO	
	EM05.M2L.XF	EM06.M2L.XF
Pressure	Nozzles Ø 5 mm	Nozzles Ø 6 mm
4 bar	5 min	6 min
6 bar	4 min 15 s	4 min 45 s
8 bar	3 min 45 s	4 min 15 s
10 bar	3 min 15 s	3 min 45 s



# EM SERIES TANK CLEANING MACHINE

1 1/2"



Working pressure: 4 - 10 bar

Cleaning diameter: max. 18 m

Flow rate: 160 LPM to 380 LPM

Spray angle: 360°

Operating temperature: max. 95 °C

Ambient temperature: max. 140 °C, 30 min

Insertion opening: min. Ø 210 mm

Materials: SS316L, C-PTFE

Weight: approx. 3.6 kg

Preferred mounting position: vertical

**Note :** We recommend to use 100 - 200 mesh strainer / filter

- Compact size gear driver tank cleaning machine
- Powerful jet cleaning (7 mm, 8 mm, 9 mm, 10 mm). Versions with 9 mm and 10 mm available on request.
- Smooth rotation
- Available with various flow rates.
- Less cleaning media

## Approx. cycle times

	MODEL NO	
	EM07.M2L.XH	EM08.M2L.XH
Pressure	Nozzles Ø 7 mm	Nozzles Ø 8 mm
4 bar	10 min	8 min 15 s
6 bar	8 min	6 min 45 s
8 bar	7 min	5 min 45 s
10 bar	6 min	5 min 15 s

