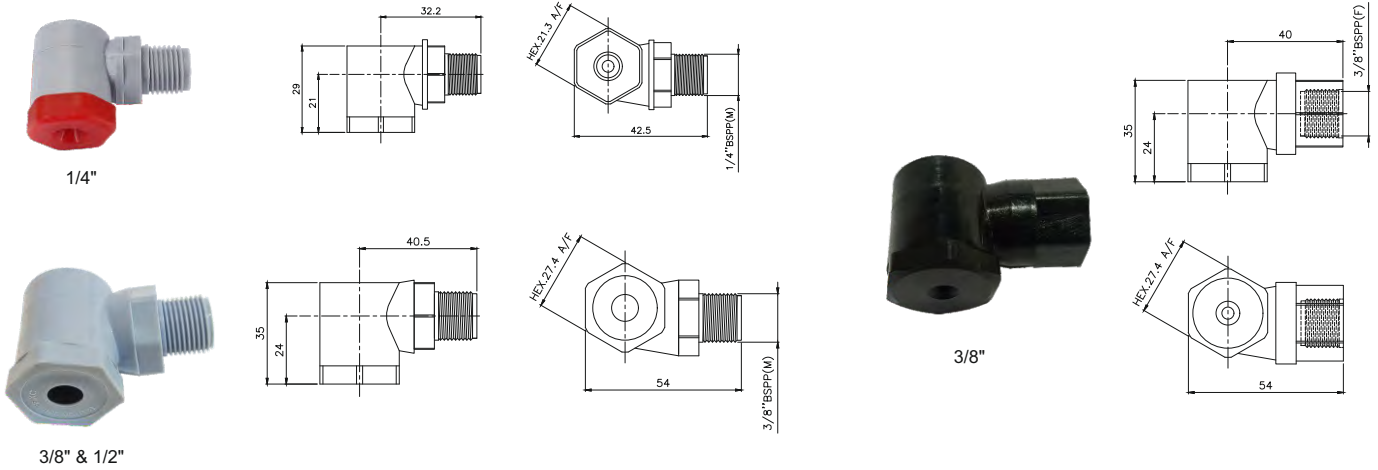


BAB

BBB



MODEL NO.		END CONNECTION			INLET DIA. NOM (mm)	ORIFICE DIA. NOM (mm)	FLOW CAPACITY IN LPM AT DIFFERENT PRESSURE						
		1/4"	3/8"	1/2"			PRESSURE [BAR]						
SPRAY ANGLE		BSP	BSP	BSP									
60°													
MALE	FEMALE					0.5	1.0	2.0	3.0	5.0	7.0	10.0	
BAB14.100		●			1.6	1.7	0.50	0.71	1.00	1.22	1.58	1.87	2.24
BAB14.150		●			1.9	2.1	0.75	1.06	1.50	1.84	2.37	2.81	3.35
BAB14.175		●			2.0	2.3	0.87	1.24	1.75	2.14	2.77	3.27	3.91
BAB14.200		●			2.2	2.4	1.00	1.41	2.00	2.45	3.16	3.74	4.47
BAB14.250		●			2.5	2.7	1.25	1.77	2.50	3.06	3.95	4.68	5.59
BAB14.300		●			2.7	3.0	1.50	2.12	3.00	3.67	4.74	5.61	6.71
BAB14.350	BBB14.350	●	●		2.9	3.2	1.75	2.47	3.50	4.29	5.53	6.55	7.83
BAB14.400	BBB14.400	●	●		3.1	3.5	2.00	2.83	4.00	4.90	6.32	7.48	8.94
BAB14.475	BBB14.475	●	●		3.4	3.7	2.37	3.36	4.75	5.82	7.51	8.89	10.62
BAB14.650	BBB14.650	●	●		4.0	4.4	3.25	4.60	6.50	7.96	10.28	12.16	14.53
BAB14.800	BBB14.800	●	●		4.4	4.9	4.00	5.66	8.00	9.80	12.65	14.97	17.89
BAB24.100	BBB24.100		●		4.9	5.5	5.00	7.07	10.00	12.25	15.81	18.71	22.36
BAB24.125	BBB24.125		●		5.5	6.1	6.25	8.84	12.50	15.31	19.76	23.39	27.95
BAB24.160	BBB24.160		●	●	6.2	6.9	8.00	11.31	16.00	19.60	25.30	29.93	35.78
BAB24.180	BBB24.180		●	●	6.5	7.2	9.00	12.73	18.00	22.05	28.46	33.67	40.25
BAB24.200	BBB24.200		●	●	6.9	7.7	10.0	14.14	20.00	24.49	31.62	37.42	44.72
BAB24.225				●	7.4	8.2	11.25	15.91	22.50	27.56	35.58	42.09	50.31
BAB24.250				●	7.8	8.6	12.5	17.68	25.00	30.62	39.53	46.77	55.90
BAB24.320				●	8.8	9.8	16.0	22.63	32.00	39.19	50.60	59.87	71.55
BAB24.400				●	9.8	10.9	20.0	28.28	40.00	48.99	63.25	74.83	89.44

MODEL NO.		END CONNECTION			INLET DIA. NOM (mm)	ORIFICE DIA. NOM (mm)	FLOW CAPACITY IN LPM AT DIFFERENT PRESSURE						
		1/4"	3/8"	1/2"			PRESSURE [BAR]						
SPRAY ANGLE		BSP	BSP	BSP			0.5	1.0	2.0	3.0	5.0	7.0	10.0
90°													
MALE	FEMALE												
BAB16.100		•			1.6	1.7	0.50	0.71	1.00	1.22	1.58	1.87	2.24
BAB16.150		•			1.9	2.1	0.75	1.06	1.50	1.84	2.37	2.81	3.35
BAB16.175		•			2.0	2.3	0.87	1.24	1.75	2.14	2.77	3.27	3.91
BAB16.200		•			2.2	2.4	1.00	1.41	2.00	2.45	3.16	3.74	4.47
BAB16.250		•			2.5	2.7	1.25	1.77	2.50	3.06	3.95	4.68	5.59
BAB16.300		•			2.7	3.0	1.50	2.12	3.00	3.67	4.74	5.61	6.71
BAB16.350	BBB16.350	•	•		2.9	3.2	1.75	2.47	3.50	4.29	5.53	6.55	7.83
BAB16.400	BBB16.400	•	•		3.1	3.5	2.00	2.83	4.00	4.90	6.32	7.48	8.94
BAB16.475	BBB16.475	•	•		3.4	3.7	2.37	3.36	4.75	5.82	7.51	8.89	10.62
BAB16.650	BBB16.650	•	•		4.0	4.4	3.25	4.60	6.50	7.96	10.28	12.16	14.53
BAB16.800	BBB16.800	•	•		4.4	4.9	4.00	5.66	8.00	9.80	12.65	14.97	17.89
BAB26.100	BBB26.100		•		4.9	5.5	5.00	7.07	10.00	12.25	15.81	18.71	22.36
BAB26.125	BBB26.125		•		5.5	6.1	6.25	8.84	12.50	15.31	19.76	23.39	27.95
BAB26.160	BBB26.160		•	•	6.2	6.9	8.00	11.31	16.00	19.60	25.30	29.93	35.78
BAB26.180	BBB26.180		•	•	6.5	7.2	9.00	12.73	18.00	22.05	28.46	33.67	40.25
BAB26.200	BBB26.200		•	•	6.9	7.7	10.0	14.14	20.00	24.49	31.62	37.42	44.72
BAB26.225				•	7.4	8.2	11.25	15.91	22.50	27.56	35.58	42.09	50.31
BAB26.250				•	7.8	8.6	12.5	17.68	25.00	30.62	39.53	46.77	55.90
BAB26.320				•	8.8	9.8	16.0	22.63	32.00	39.19	50.60	59.87	71.55
BAB26.400				•	9.8	10.9	20.0	28.28	40.00	48.99	63.25	74.83	89.44

MODEL NO.		END CONNECTION			INLET DIA. NOM (mm)	ORIFICE DIA. NOM (mm)	FLOW CAPACITY IN LPM AT DIFFERENT PRESSURE						
		1/4"	3/8"	1/2"			PRESSURE [BAR]						
SPRAY ANGLE		BSP	BSP	BSP			0.5	1.0	2.0	3.0	5.0	7.0	10.0
120°													
MALE	FEMALE												
BAB18.100		•			1.6	1.7	0.50	0.71	1.00	1.22	1.58	1.87	2.24
BAB18.150		•			1.9	2.1	0.75	1.06	1.50	1.84	2.37	2.81	3.35
BAB18.175		•			2.0	2.3	0.87	1.24	1.75	2.14	2.77	3.27	3.91
BAB18.200		•			2.2	2.4	1.00	1.41	2.00	2.45	3.16	3.74	4.47
BAB18.250		•			2.5	2.7	1.25	1.77	2.50	3.06	3.95	4.68	5.59
BAB18.300		•			2.7	3.0	1.50	2.12	3.00	3.67	4.74	5.61	6.71
BAB18.350	BBB18.350	•	•		2.9	3.2	1.75	2.47	3.50	4.29	5.53	6.55	7.83
BAB18.400	BBB18.400	•	•		3.1	3.5	2.00	2.83	4.00	4.90	6.32	7.48	8.94
BAB18.475	BBB18.475	•	•		3.4	3.7	2.37	3.36	4.75	5.82	7.51	8.89	10.62
BAB18.650	BBB18.650	•	•		4.0	4.4	3.25	4.60	6.50	7.96	10.28	12.16	14.53
BAB18.800	BBB18.800	•	•		4.4	4.9	4.00	5.66	8.00	9.80	12.65	14.97	17.89
BAB28.100	BBB28.100		•		4.9	5.5	5.00	7.07	10.00	12.25	15.81	18.71	22.36
BAB28.125	BBB28.125		•		5.5	6.1	6.25	8.84	12.50	15.31	19.76	23.39	27.95
BAB28.160	BBB28.160		•	•	6.2	6.9	8.00	11.31	16.00	19.60	25.30	29.93	35.78
BAB28.180	BBB28.180		•	•	6.5	7.2	9.00	12.73	18.00	22.05	28.46	33.67	40.25
BAB28.200	BBB28.200		•	•	6.9	7.7	10.0	14.14	20.00	24.49	31.62	37.42	44.72
BAB28.225				•	7.4	8.2	11.25	15.91	22.50	27.56	35.58	42.09	50.31
BAB28.250				•	7.8	8.6	12.5	17.68	25.00	30.62	39.53	46.77	55.90
BAB28.320				•	8.8	9.8	16.0	22.63	32.00	39.19	50.60	59.87	71.55
BAB28.400				•	9.8	10.9	20.0	28.28	40.00	48.99	63.25	74.83	89.44